

Report of Working Group 1

2009/10/20

Xugang Wang(China) , Tomomi Suzuki(Japan), Sungin Jung(Korea)



WG1(Technology Development & Assessment WG)
North-East Asia OSS Promotion Forum

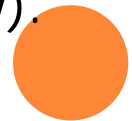
Agenda

- History of WG1
- Activities of WG1
- Statement of WG1
- Structure of WG1
- Overview of three co-development projects and two taskforces
 - OpenDRIM Project: Open Distributed Resource Information Management (Dr. Ahn)
 - Crackerjack Project: Linux Kernel Regression Test (Mr. Hashimoto)
 - Cloud computing taskforce (Mr. Sungin)
- Q and A



1. HISTORY OF WG1

- WG1 was organized by the 2nd NEA OSS PF on July 28, 2004.
 - First WG1 meeting was held with the 3rd NEA OSS PF on December 2, 2004 , and CJK agreed to focus to
 - Desktop Linux
 - Benchmark evaluation on Linux and other OSS
 - Operating system security
 - CJK agreed about continuing to discuss about cooperative development in Server and Desktop area. And 2 sub-working groups, Desktop Sub-WG and Server Sub-WG , was established in the 4th NEA OSS PF on April 13, 2006.
 - CJK agreed to start 3 CJK cooperative projects in server area in the 5th NEA OSS PF on November 22, 2006. These 3 projects are
 - OpenDRIM PJ
 - Crackerjack PJ
 - DB Benchmark PJ
- And CJK agreed to continue to discuss about SEEN(SEcurity ENtity).



1. HISTORY OF WG1

- WG1 agreed to merge Desktop sub-WG and Server sub-WG into one in the **6th NEA OSS PF on September 12, 2007**. WG1 agreed to continue 3 CJK cooperative projects in server area and to start 2 task forces in desktop area. These 3 projects and 2 taskforces are

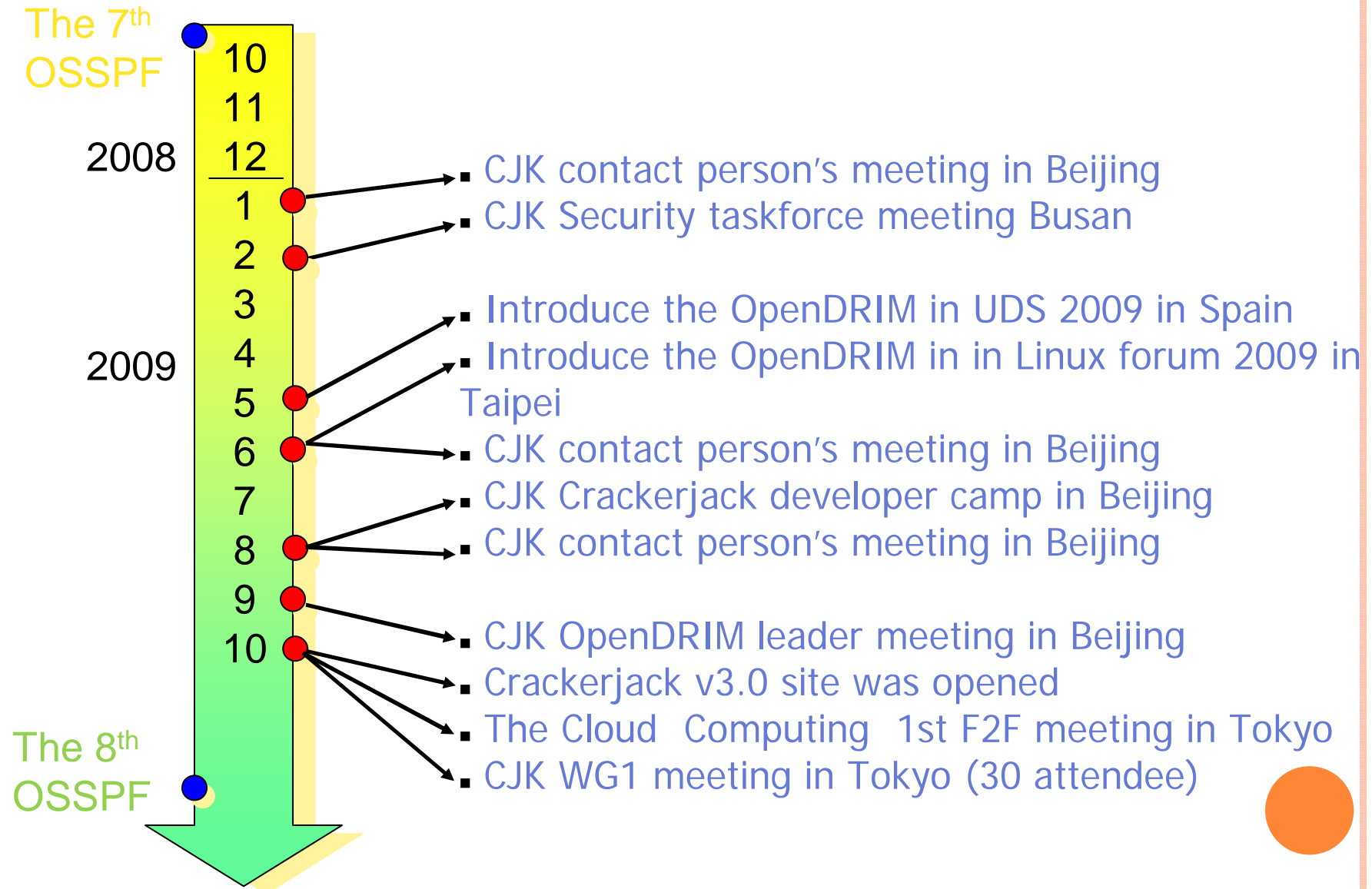
- OpenDRIM PJ
- Crackerjack PJ
- Security PJ
- OSS Desktop promotion TF
- Web interoperability TF

- In the **7th NEA OSS PF on Oct. 31, 2008**. WG1 agreed to run 2 projects continuously and establish the next stage of goals and schedules for both projects and agreed to close security project and two task forces and create 1 task force to discuss about future cooperative development in security area. These two projects and 1 taskforce are

- OpenDRIM PJ
- Crackerjack PJ
- Security TF



2. Activities from the last NEA OSS PF



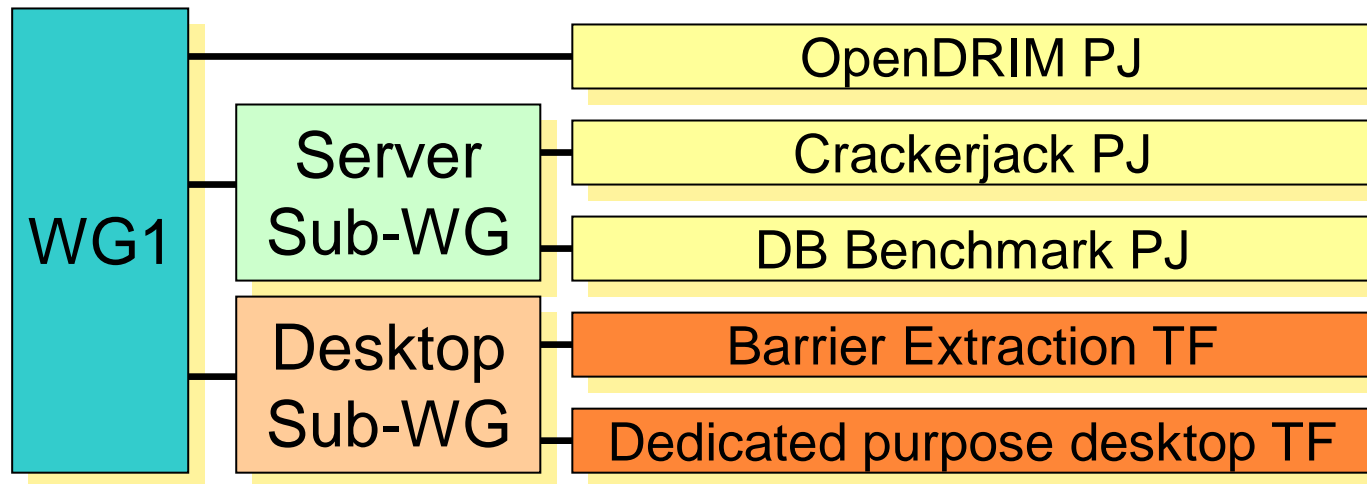
3. Statement of WG1 in the 8th NEA OSSPF

- The OpenDRIM Project" released "OpenDRIM 2008" in March 2009 and will release "OpenDRIM 2009" in December 2009. The CIM provider modules developed in OpenDRIM have been submitted to the Ubuntu community and adopted as official packages for Ubuntu's Karmic version in October 2009.
- The Crackerjack Project" released Version 3.0 of its regression test functions in October 2009. In addition, a website was launched to provide information about the regression between Linux kernel system calls. The site was linked to the "Autotest Project" site. Moreover, the Crackerjack Project provided the source code of 66 test functions for the "Linux Test Project" (LTP) this year.
- WG1 agreed to start a "Cloud Computing TF" that researches the activities related to cloud technology in the three countries.
- The activities of WG1 have been accepted as very meaningful contributions to the worldwide community. In addition, WG1 decided on new activities that will enable it to make even stronger contributions to communities around the globe.

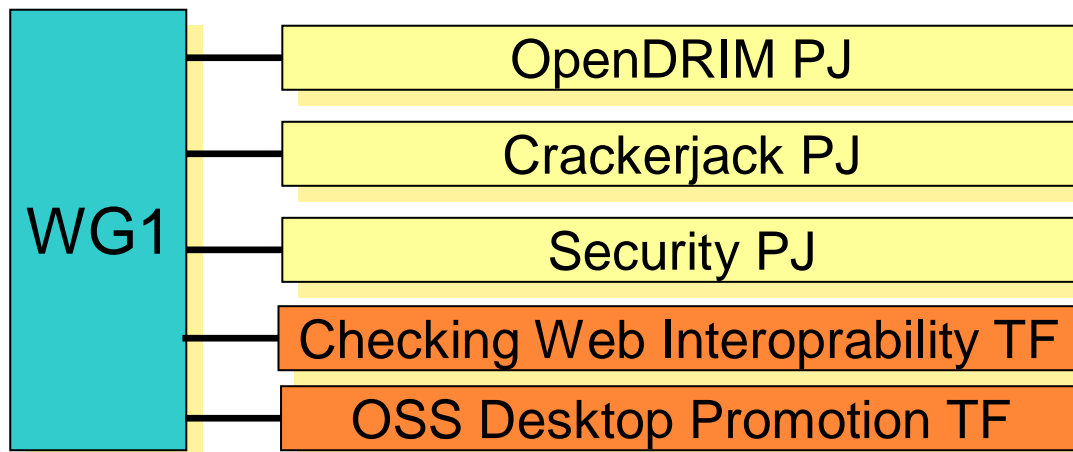


4. Structure of WG1

Structure of WG1 (before 6th NEA OSS PF)



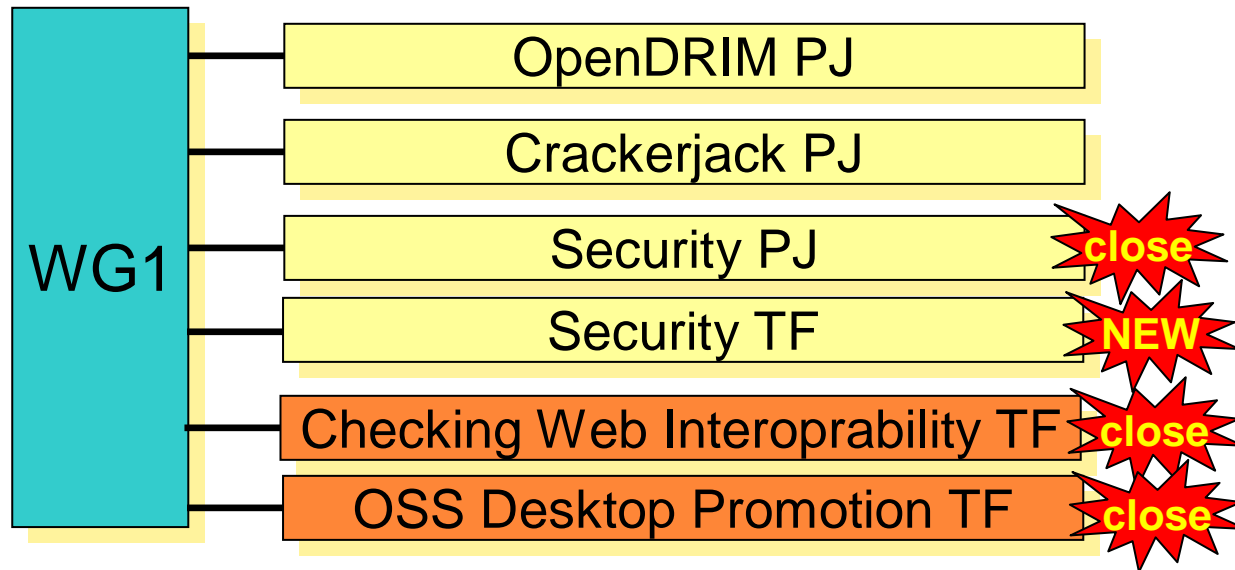
Structure of WG1 (from 6th NEA OSS PF)



PJ means doing development. TF means just research before CJK cooperative development.

4. Structure of WG1

Structure of WG1 (from 7th NEA OSS PF)

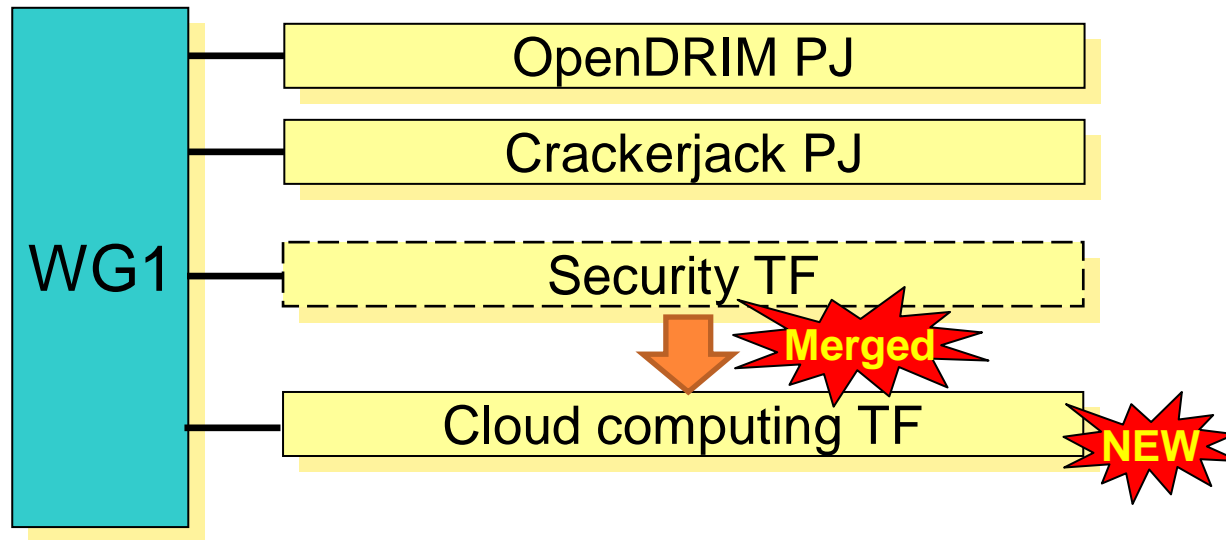


PJ means doing development. TF means just research before CJK cooperative development.



4. Structure of WG1

Structure of WG1 (after 8th NEA OSS PF)



PJ means doing development. TF means just research before CJK cooperative development.

Thank You!

Win Win Win



WG1(Technology Development & Assessment WG)
North-East Asia OSS Promotion Forum