

The 17<sup>th</sup> North-East Asia OSS Promotion Forum

# Activity Report of Working Group 1

2018/11/15

Sungin Jung(Korea), Li Zhenning(C),Tomomi Suzuki(Japan)

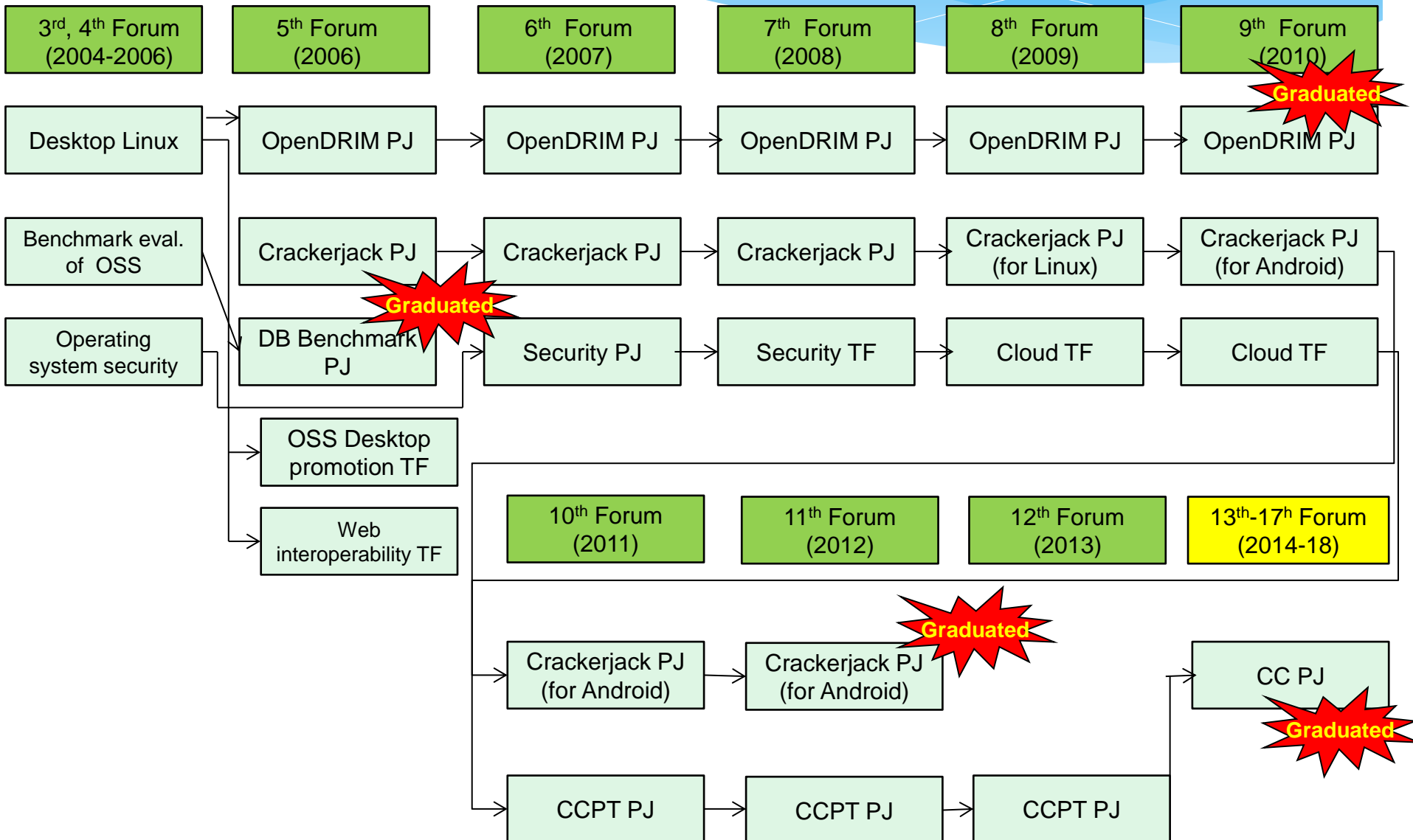


WG1(Technology Development & Assessment WG)  
North-East Asia OSS Promotion Forum

# Agenda

1. History of WG1
2. Draft Output and Plan
3. Activities of WG1 in 2018Y
4. Plan for 2019Y

# 1. History of WG1



## 2. Draft Output and Plan

### Chairman statement

In 2018 WG1 started to discuss new technical topics for future collaboration and WG1 has held a technical conference on the 26th of July. In this conference WG1 members introduced their research topics such as many-core OS PJ, Block chain, OpenBLAS, Open Network Automation Platform, etc., and discussed future plans. Furthermore, WG1 agreed to graduate “The Inter-Cloud Project”, developing an Inter-Cloud service and researching the technologies of federated Clouds on CJK testbeds in 2018, and continue the activities in global OpenStack related communities.

WG1 will continue to explore research cooperation possibilities in areas of Cloud Computing, Networking in NFV, OpenStack, Mobile Internet, Internet of Things, Big Data, Artificial Intelligence, Smart City, Block Chain, Edge Computing and so on.

### 3. WG1 activities in Y2018

<F2F meeting : 3times, conference call : 1 times, over 50 of e-mail>

- Feb: CJK contact persons agree that WG1 will make 2 conference at Tokyo, and Beijing in Y2018
- 5/31: CJK contact persons meeting at Beijing, and agree to have 1 conference at Beijing on July.
- June, July: CJK contact persons discuss the agenda of WG1 meeting on July by e-mail.
- 7/26: WG1 meeting, 10 members attend and make presentations and Q&A.
- 10/11: CJK contact persons meeting, CJK contact persons discuss and fix the term of chairman's statement.
- 11/13: OpenDrinking PJ
- 11/14: WG1 meeting for technical conference and discussion of Y2019 plan at Yokohama

## 3. WG1 activities in Y2018

### The 1<sup>st</sup> WG1 meeting(7/26 Beijing)

- Presentation about technical topics and discussion

#### (1)China

- About OpenBLAS(Zhang Xianyi)
- Open Network Automation Platform (Zhu Libo)
- ACRN in automotive & IOT (Wang Yu)



#### (2)Korea

- Introduction of many-core OS project (Sungin Jung)
- Scalable lock mechanism for VM scalability (Sungin Jung)
- Scalable network stack for supporting 40G and 100G NICs (Ramneek)
- Multi-kernel OS for 1k+ many-core systems (Sungin Jung)
- Edge computing (Seung Wook Jang)

#### (3)Japan

- How We Can Expand the Utilization of Blockchain Technology:  
Security and Use Case Perspective  
(Umeda Taichi)



## 3. WG1 activities in Y2018

### The 2nd WG1 meeting(11/14 Yokohama)

- Presentation about technical topics and discussion

#### (1)License Issues

- Open Chain PJ (Shane Coughlan)
- OSS license bugs(Jung Sungin)

#### (2)Japan

- Investigation and Evaluation of Traceability Management System Using Blockchain (Nagai Takayuki)
- Introduction to Node-RED and Node generator (Yokoi Kazuhito)

#### (3) China 11:00-11:40

- Apache Kylin: Extreme SQL engine for big data (Shi ShaoFeng)
- The Rise Of The Open-Source Database Strategies (Gao Tong)



## 4. Plan for Y2019

- License Issue
  - Continuing to exchange information
- Research cooperation possibilities in areas of
  - Cloud Computing
  - Networking in NFV, OpenStack
  - Mobile Internet
  - Internet of Things
  - Big Data, Artificial Intelligence
  - Smart City
  - Block Chain
  - Edge Computing
  - etc.



# Thank You!



WG1 (Technology Development & Assessment WG)  
North-East Asia OSS Promotion Forum