

The 13th North-East Asia OSS Promotion Forum

Activity Report of Working Group 1

2014/11/20

Sungin Jung(Korea), Weiyang Wang(China), Tomomi Suzuki(Japan)



WG1(Technology Development & Assessment WG)
North-East Asia OSS Promotion Forum

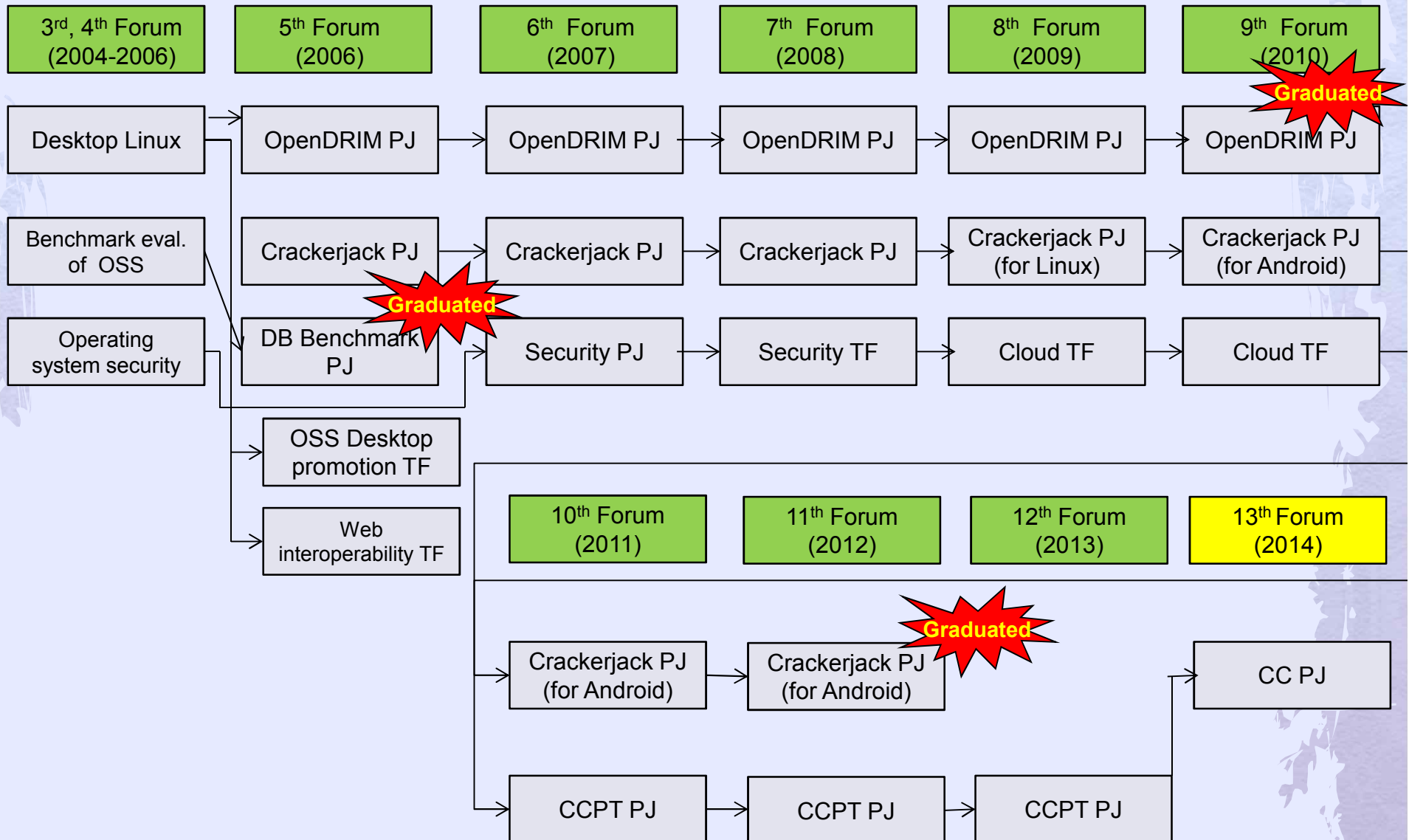
10th Anniversary Celebration of Northeast Asia OSS Promotion Forum



Agenda

1. History of WG1
2. Achievement of last 10 years
3. Activities of WG1 in 2014Y
4. Plan in 2015Y

1. History of WG1



2. Achievement of last 10 years (DBT(Database test) project(2004-2006))

- Background
 - DBMS market was dominated by commercial products
- Goal
 - developing database test suites(DBT-1, DBT-3)
 - benchmarking MySQL and PostgreSQL
- Outcomes
 - opened OSS DBMS benchmark results measured on CJK representative Linux systems compared to a commercial DBMS
- Exploitation
 - disseminated a performance superiority of MySQL and PostgreSQL
 - contributed in DBT open project

▪

2. Achievement of last 10 years (Crackerjack project(2006-2012))



- Background
 - solving an incompatible problem of Linux released every 3 months
- Goal
 - developing regression testsuite for verifying the compatibility of Linux kernel
 - providing incompatible information of kernel version for users
- Outcomes
 - regression test framework, and testcase of 317 Linux system calls
- Exploitation
 - collaborated with world wide test communities such as Autotest and LTP(Linux Test Project)
 - Redhat US, used for compatibility test of RHEL versions

2. Achievement of last 10 years (OpenDRIM project(2006-2010))



- Background
 - securing standard technologies of system management, and collaborating the relevant open projects such as OpenWBEM
- Goal
 - developing system management framework based on DMTF standard
 - developing CIM(Common Information Model) provider technology
- Outcomes
 - international standard based Linux system manager
- Exploitation
 - provided the technologies of OpenDRIM to Ubuntu Linux open project(Karmic version(2009) and Maverick version(2010))

3. WG1 activities in 2014Y

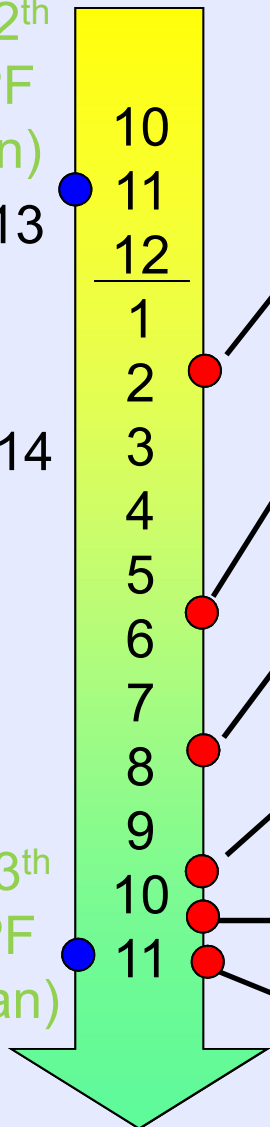
3.1 schedule of WG1 activities

The 12th
OSSPF
(Busan)

2013

2014

The 13th
OSSPF
(Wuhan)



<F2F meeting : 4 times, conference call : 2 times, WG1/W4 meeting>

- WG1 CJK contact person's meeting on the plan of 2014Y and discussion of WG1 new projects in Beijing(2/25)
- WG1 meeting on the collaboration with OpenStack community in Beijing(6/24)
- WG1 conference call on the preparation of Wuhan forum (9/4)
- WG1 CJK contact person's meeting on Wuhan forum and WG1/WG4 meeting on Luoyang(洛陽) project in Beijing (10/15)
- WG1 conference call on Wuhan forum(10/24)
- WG1 brainstorming meeting for discussing 2015Y plan in Wuhan(11/19)

3. WG1 activities in 2014Y

3.2 discussion of WG1 new projects

- China has proposed
 - home grown Cloud OS based on OpenStack
 - Linux OS compliant to Window OS due to XP problems
- Japan has proposed the performance test of Hadoop and Hbase compared to Oracle
- Korea has proposed the openness of Cloud platform



<Feb., 2014>



<June., 2014>

3. Overview of WG1 activities in 2014Y

3.3 WG1 and WG4 meeting

- China LuoYang City Tourism Platform
 - Introduce OSS of Cloud, Big Data etc. into the platform
 - CJK's first collaboration attempt on actual commercial project



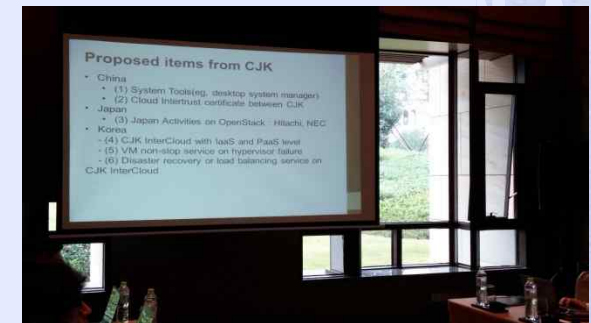
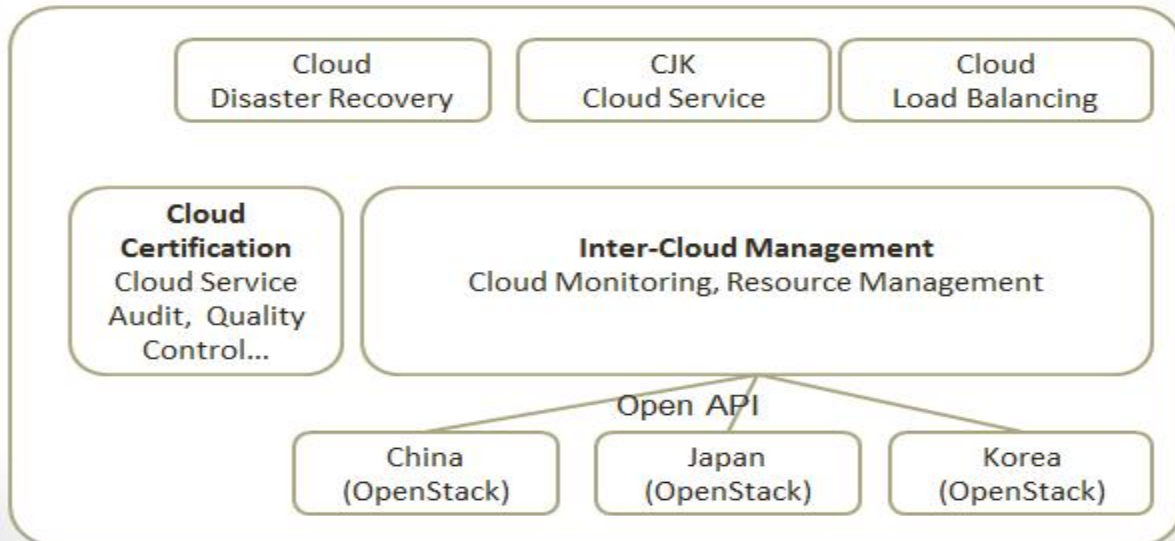
<Oct., 2014>

4. Plan in 2015Y

- Brainstorming meeting with candidate items in order to make a bilateral collaboration project or a third party project - 6 candidate items, through 3rd round talk, agreed on Inter-Cloud project

Conceptual structure of new project

- Goal of new project: developing technologies for trustworthy Inter-Cloud services, and establishing Inter-Cloud testbeds



Thank You!



WG1(Technology Development & Assessment WG)
North-East Asia OSS Promotion Forum